

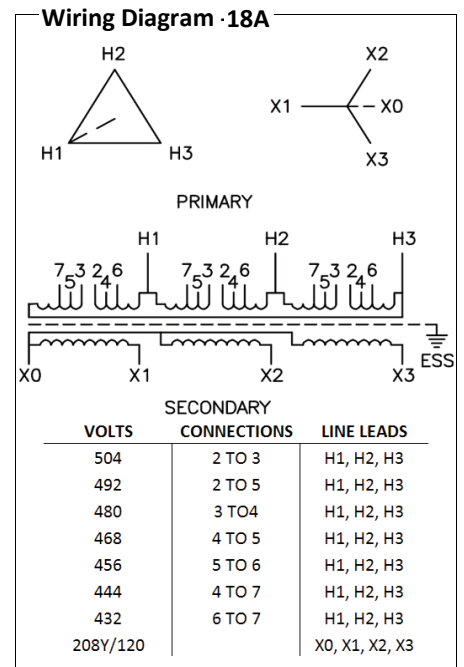
# Typical Performance Technical Data Sheet



## Catalog No T48CB2Y-112

Characteristics	
Phase	3
KVA	112
Primary	480Δ
Secondary	208Y/120
Conductor	Copper
Temp. Rise	80° C
Frequency	60 HZ
Taps	+2, -4 x 2.5%
ESS	Yes
Insulation	220° C
Weathershield	WS-10B
Wall Bracket	NONE
Weight (lbs)	1355
Sound (dB)	50

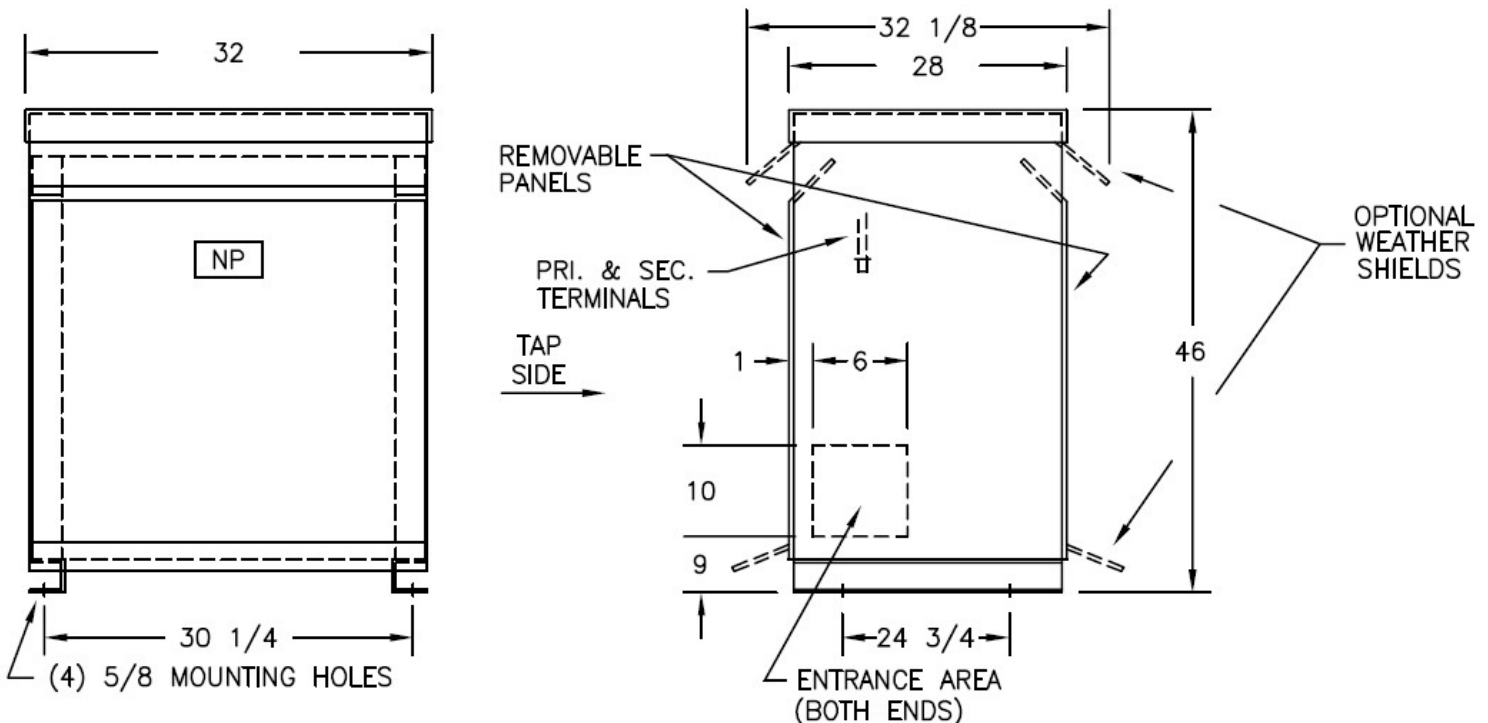
Typical Performance @ 100° C	
Regulation @ 100% PF	1.4%
Regulation @ 80% PF	2.3%
Impedance	2.5%
No Load Losses (W)	250
Full Load Losses (W)	1,508



AMP Ratings	
Line In (Primary) @ 480V	135 A
Load (Secondary) @ 208V	311 A

### Notes

All units are UL listed and are designed in accordance with applicable NEMA, ANSI and IEEE standards.  
 Transformers are dry-type AA, ventilated NEMA 2 enclosure.  
 If a weathershield is indicated above this transformer can be converted to a NEMA 3R enclosure.  
 Transformers are floor mounted. Wall mounting bracket kit if shown above is optional and is supplied as a separate accessory.  
 Paint color is ANSI 61.



Outline No: 08A6251