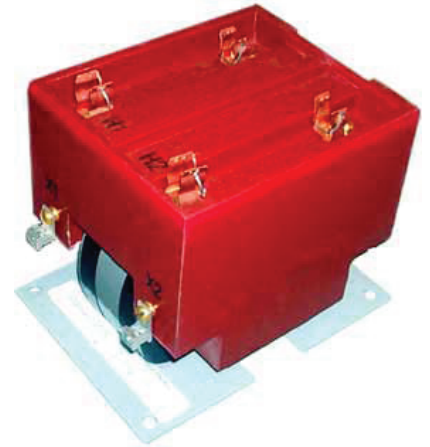


**SPECIFICATIONS**

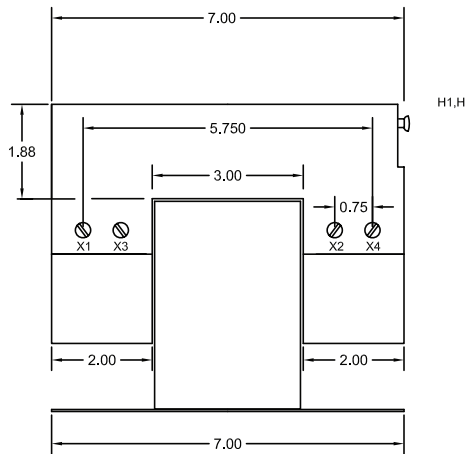
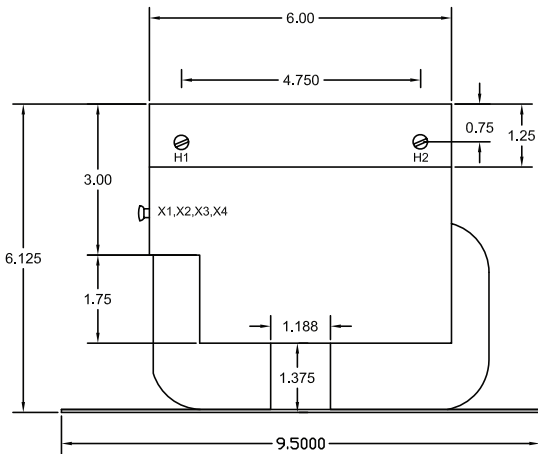
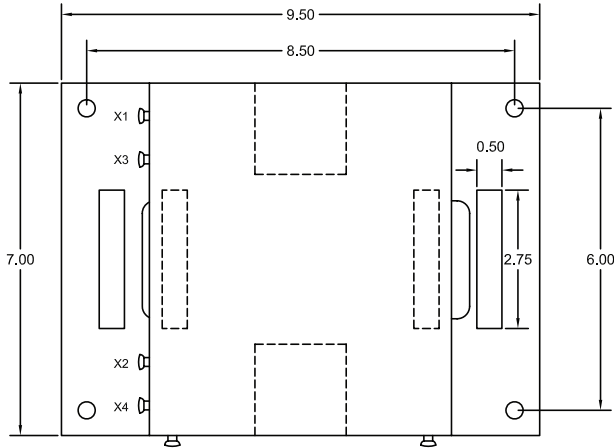
<b>Input Voltage:</b>	<b>2400, 3300, 4160, 4800, 6600, or 7200</b>
<b>Output Voltage:</b>	<b>600</b>
<b>Subtype:</b>	Control - Encapsulated
<b>Phase:</b>	Single
<b>Frequency (Hz):</b>	60
<b>VA:</b>	500, 750, 1000, 2000, 3000, 5000
<b>K Rating:</b>	1
<b>Primary Configuration:</b>	One Winding
<b>Secondary Configuration:</b>	One Winding
<b>Reverse Connectable:</b>	Yes
<b>Winding Material:</b>	Copper
<b>Electrostatic Shielded:</b>	No
<b>Temperature Rise:</b>	115°C
<b>Insulation System:</b>	185°C
<b>Construction Style:</b>	Open - Encapsulated Core & Coil
<b>Mounting Type:</b>	Base/Panel
<b>Connection Type:</b>	Screw Terminals
<b>Cooling:</b>	Air/Dry
<b>UL Listed:</b>	Yes
<b>CSA Approved:</b>	Yes
<b>Other Agency Approvals:</b>	UL ANSI C57.13.2
<b>Warranty:</b>	10 Years



## DIMENSIONS

Input Voltage: 2400, 3300, 4160, 4800, 6600, or 7200  
 Output Voltage: 600

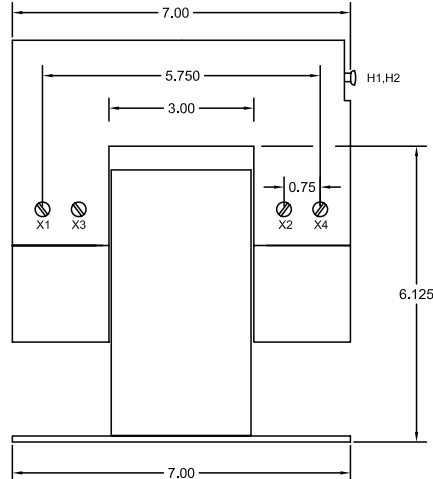
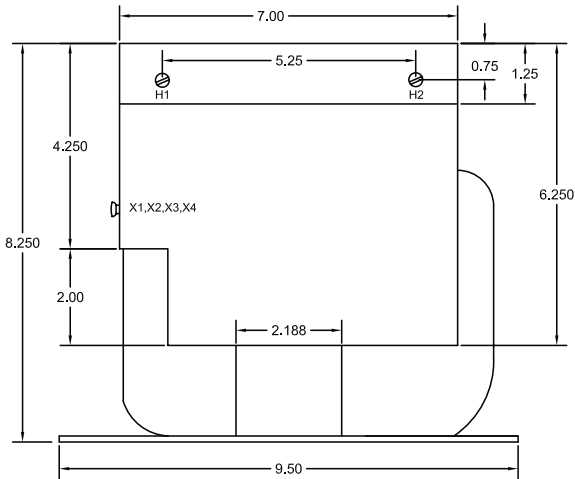
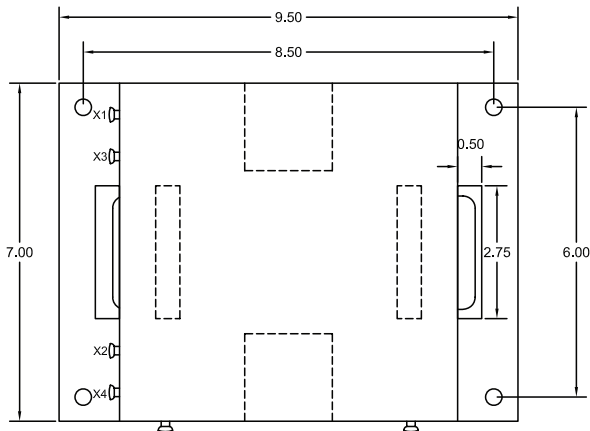
Up to 1000 VA



## DIMENSIONS

Input Voltage: 2400, 3300, 4160, 4800, 6600, or 7200  
 Output Voltage: 600

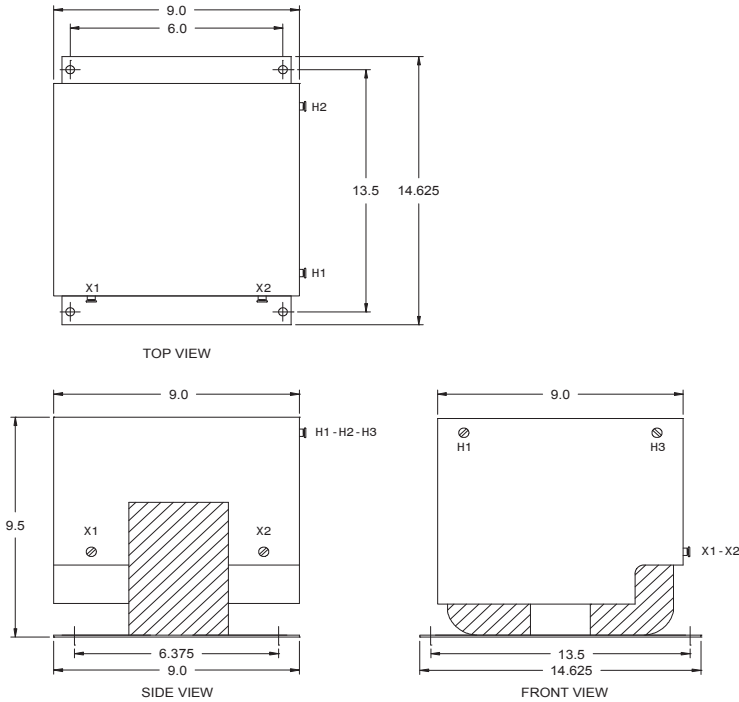
### 2000VA



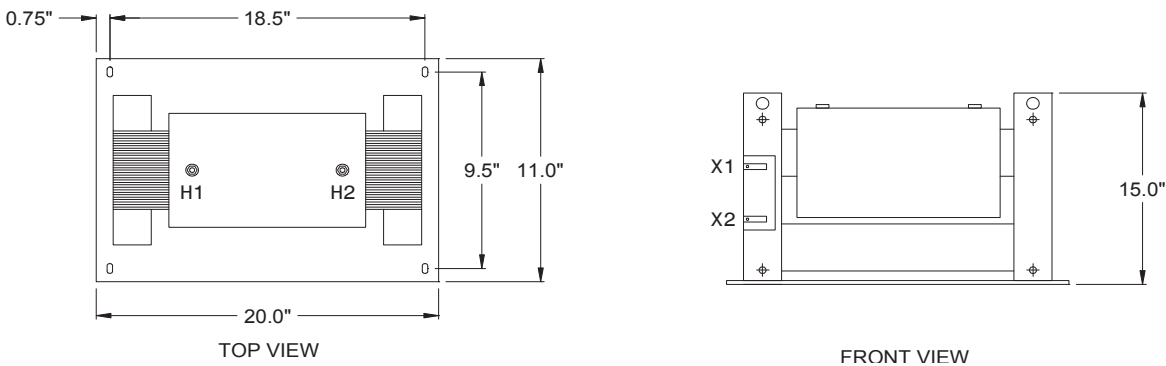
## DIMENSIONS

**Input Voltage:** 2400, 3300, 4160, 4800, 6600, or 7200  
**Output Voltage:** 600

### 3000 VA

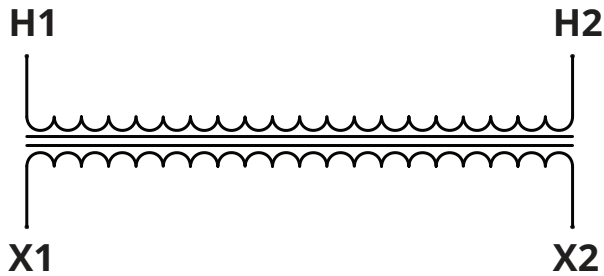


### 5000 VA



## WIRING DIAGRAM

**Input Voltage:** 2400, 3300, 4160, 4800, 6600, or 7200  
**Output Voltage:** 600



## Wiring Connection

### Primary Volts

2400, 3300, 4160, 4800, 6600, or 7200

### Connect Lines To:

H

### Secondary Volts

600

### Connect Loads To:

X1-X2