

SPECIFICATIONS

TEMCo ID	TT1004	Impedance	4.5%
Phase	Three	Temperature Rise	150°C
Frequency (Hz)	60	Insulation System	220°C
kVA	30	Enclosure Rating	NEMA 3R
K-Rating	1	Enclosure Material	Steel
Primary Configuration	208/240/45/480/504 V Delta	Construction Style	Enclosed
Secondary Configuration	380/400/415 V Wye	Connection Type	Lugs/Bolt-down terminals
Reverse Connectable?	Yes	Mounting Type	Floor
Winding Material	Aluminum	Cooling	Air/dry
Electrostatically Shielded?	No	Sound Level (dB)	-
BIL Rating (kV)	10	UL Listed	Yes
Weight (lbs)	375	CSA Approved	Yes
LxWxH (in)	23.75 x 26.25 x 26.25	Warranty	10 Years

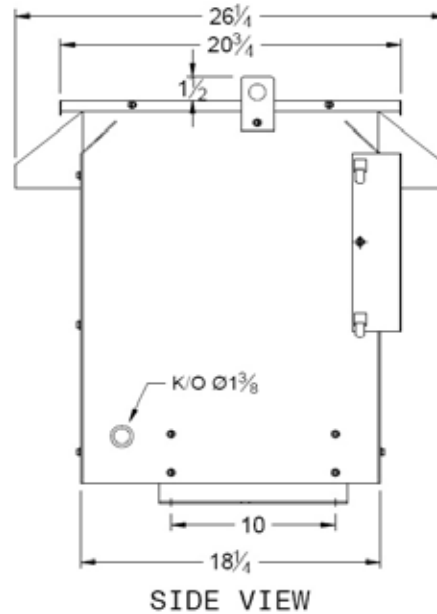
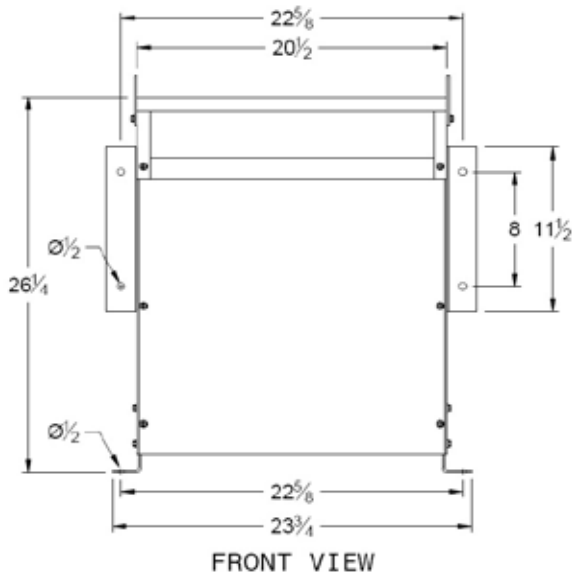


TEMCo Euro-Plus transformers are used to convert any standard 3 phase U.S. voltage to a standard 3 phase European voltage. This is useful when importing European machinery to the U.S. Additionally, these transformers can be connected in reverse to convert European power to U.S. power when importing U.S. machinery into Europe. Either way, these transformers are built to last, guaranteed. That's why we back these with a decade long warranty.

Don't have floor space to mount your Euro-Plus transformer? No problem! Heavy duty wall mounting brackets are supplied on all Euro-Plus transformers up to 45KVA. Save your valuable floor space for your machinery instead of cluttering it with electrical equipment. When you wall mount this transformer in a warehouse, you no longer need to install concrete filled, steel barrier posts to protect the transformer from forklifts and other warehouse machinery.

Connections are made simple with TEMCo Euro-Plus transformers. Jumpers are provided to configure the primary winding for either 208, 240, or 480V input. Multiple taps are provided on the output for 380, 400, or 415V Wye configured output. Lugs are provided for easy and fast connection on the input and output side. Rigid GPO-3 fiberglass primary buss strut ensures connections remain secure through the life of the installation.

DIMENSIONS (in.)



WIRING CONNECTION

Primary		
	H1-H2-H3	
Voltage	% Tap	Jumpers to:
504	105.0	1-1-1
480	100.0	2-2-2
456	95.0	3-3-3
240	-	4-4-4
208	-	5-5-5

Secondary	
Voltage	Connect Loads To:
415Y/240	X7-X8-X9
400Y/231	X4-X5-X6
380Y/220	X1-X2-X3

