

SPECIFICATIONS

Phase	Three
Frequency (Hz)	50/60
kVA	3 to 750 kVA
K-Rating	1
Primary Configuration	208, 240, 480, 575, or 600 V Delta
Secondary Configuration	380/400/415 V Wye
Reverse Connectable?	Yes
Winding Material	Copper or Aluminum
Electrostatically Shielded?	No
BIL Rating (kV)	10
Enclosure Rating	NEMA 3R
Enclosure Material	Steel
Construction Style	Enclosed (Ventilated Core & Coil)
Connection Type	Lugs/Bolt-down terminals
Mounting Type	Floor or Wall
Cooling	Air/dry
UL Listed	Yes
CSA Approved	Yes
Warranty	10 Years

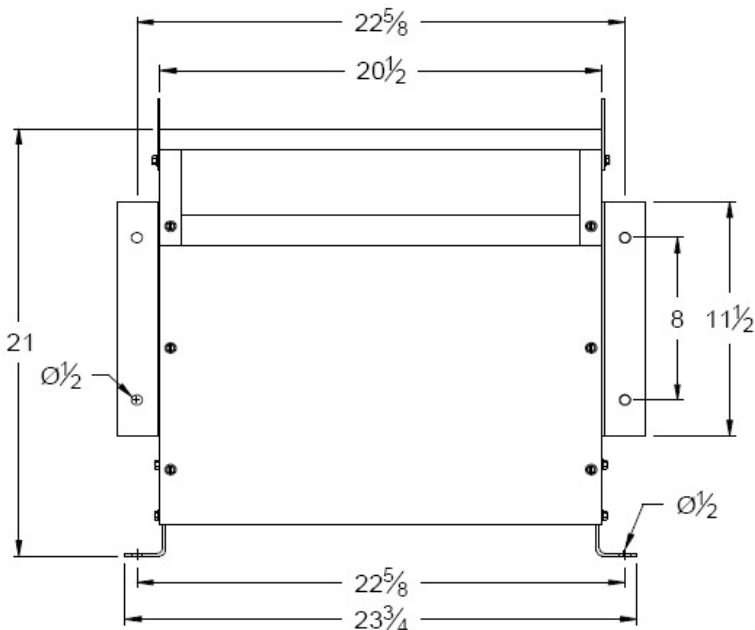


TEMCo Euro Standard transformers are used to convert any standard 3 phase U.S. voltage to a standard 3 phase European voltage. This is useful when importing European machinery to the U.S. Additionally, these transformers can be connected in reverse to convert European power to U.S. power when importing U.S. machinery into Europe. Either way, these transformers are built to last, guaranteed. That's why we back these with a decade long warranty.

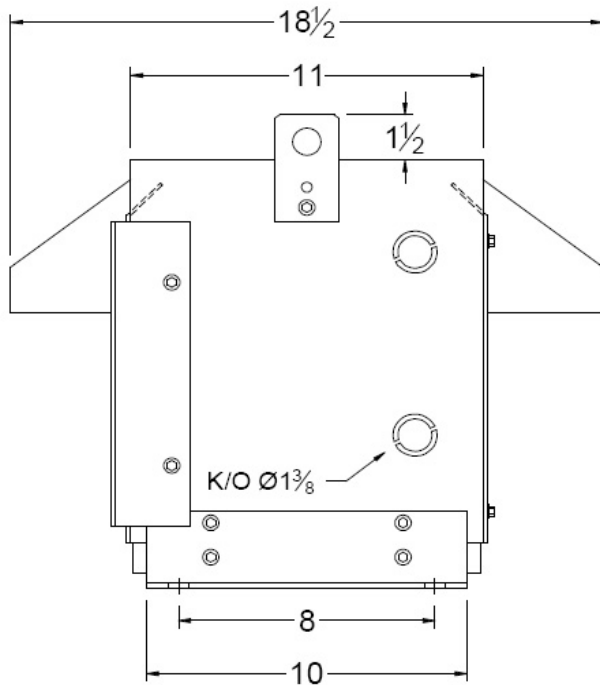
Don't have floor space to mount your TEMCo Euro-Standard transformer? No problem! Heavy duty wall mounting brackets are supplied on all Euro-Standard transformers up to 45KVA. For larger units, take advantage of the weather shields included with every unit and mount your Euro-Standard transformer outside. Save your valuable floor space for your machinery instead of cluttering it with electrical equipment.

Connections are made simple with TEMCo Euro Standard transformers. Jumpers are provided to configure the primary winding for either 208, 240, or 480V input. Multiple taps are provided on the output for 380, 400, or 415V Wye configured output. Lugs are provided for easy and fast connection on the input and output side. Rigid GPO-3 fiberglass primary buss strut ensures connections remain secure through the life of the installation.

DIMENSIONS (in.)



FRONT VIEW

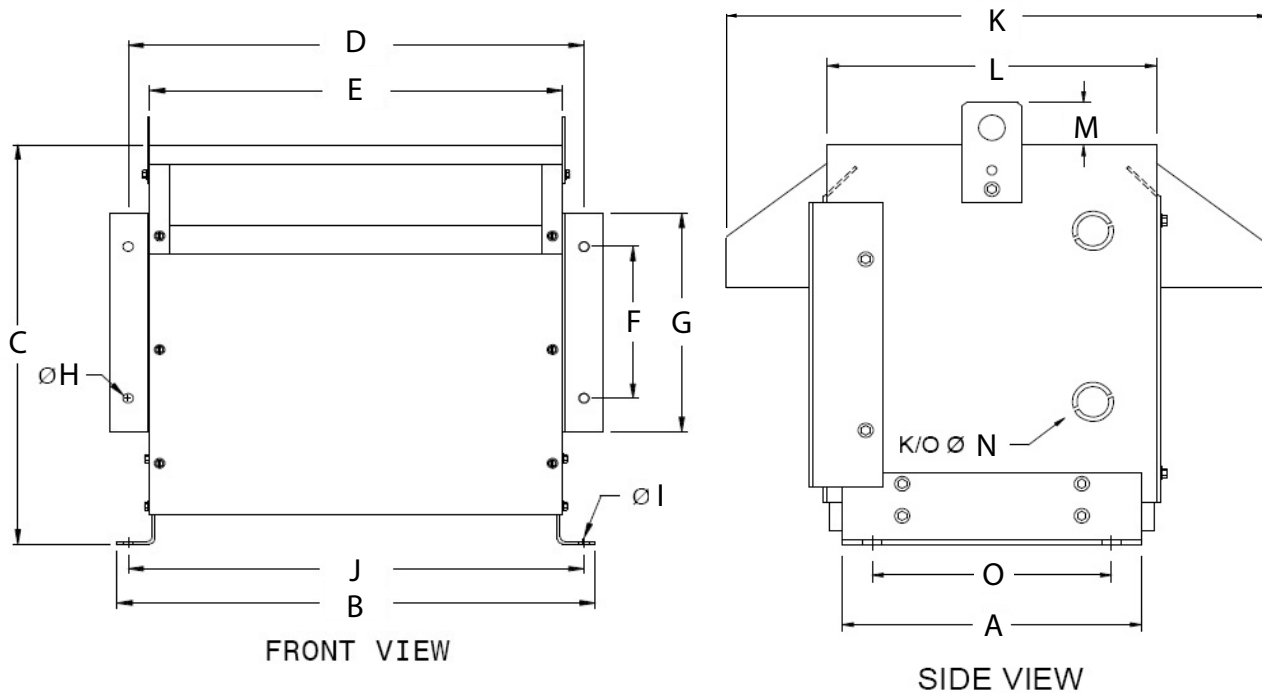


SIDE VIEW

Approximate dimensions given in inches

	3 kVA	6 kVA	9 kVA
A	10	13 1/2	13 1/2
B	23 3/4	19 1/4	19 1/4
C	21	21	21
D	22 5/8	18	18
E	20 1/2	15 3/4	15 3/4
F	8	8	8
G	11 1/2	11 1/2	11 1/2
H	1/2	1/2	1/2
I	1/2	1/2	1/2
J	22 5/8	18	18
K	18 1/2	20 3/4	20 3/4
L	11	16	16
M	1 1/2	1 1/2	1 1/2
N	1 3/8	1 3/8	1 3/8
O	8	7 1/2	7 1/2
lbs	90	130	130

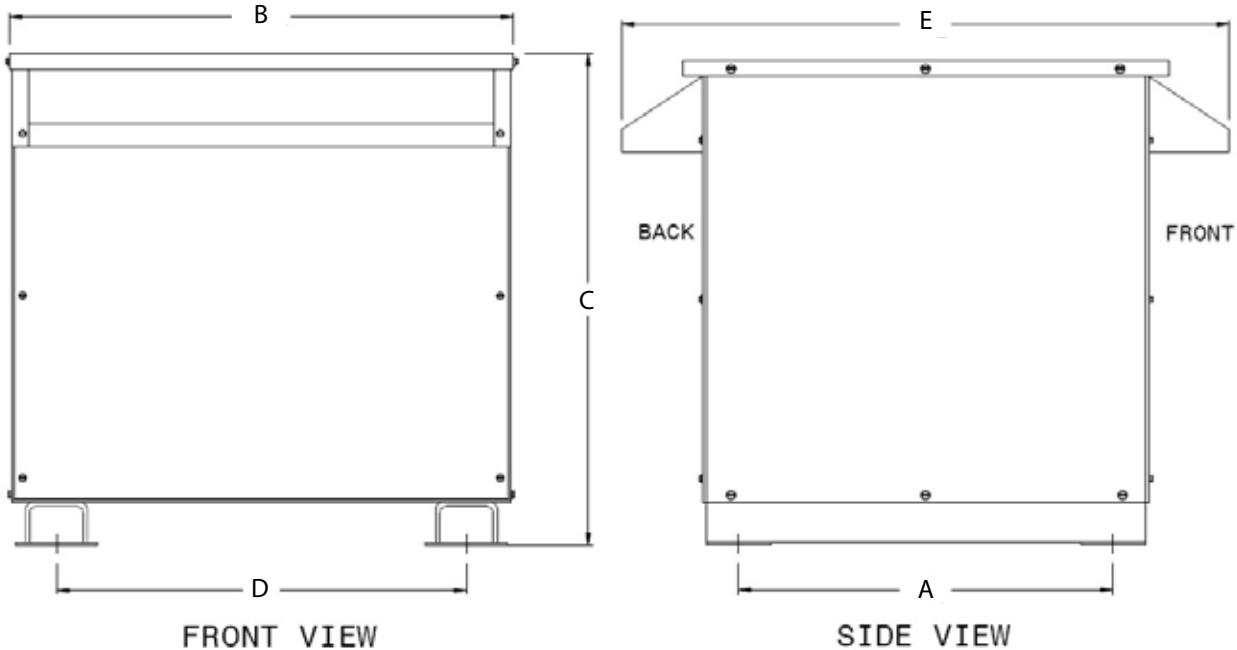
DIMENSIONS (in.)



Approximate dimensions given in inches

	A	B	C	D	E	F	G	H	I	J	K	L	M	N	O	lbs
15 kVA	13 1/2	19 1/4	21	18	15 3/4	8	11 1/2	1/2	1/2	18	20 3/4	16	1 1/2	1 3/8	7 1/2	180
30 kVA	18 1/2	23 3/4	26 1/4	22 5/8	20 1/2	8	11 1/2	1/2	1/2	22 5/8	26 1/4	20 3/4	1 1/2	1 3/8	10	290
45 kVA	18 1/2	23 3/4	26 1/4	22 5/8	20 1/2	8	11 1/2	1/2	1/2	22 5/8	26 1/4	20 3/4	1 1/2	1 3/8	10	330
75 kVA	19 1/4	27 1/2	31 1/2	26 1/2	24 1/2	8	11 1/2	1/2	1/2	26 1/2	29 1/4	21 3/4	1 1/2	1 3/8	11 1/2	520

DIMENSIONS (in.)



Approximate dimensions given in inches

	A	B	C	D	E	lbs
112.5 kVA	23 1/8	30 3/4	31 3/4	25	37 1/2	750
150 kVA	23 1/8	30 3/4	31 3/4	25	37 1/2	900
225 kVA	23 3/4	40	46	29	39	1750
300 kVA	23 3/4	40	46	29	39	2000
500 kVA	36	46	64 1/2	30	50	2900
750 kVA	45	60	69	30	55	3800

WIRING CONNECTION

Primary X1 - X2 - X3

Voltage
208, 240, 480, 575, or 600

Secondary H1 - H2 - H3 - H4 - H5 - H6 - H7 - H8 - H9

Voltage Connect Load To
380Y/220 H7 - H8 - H9
415Y/240 H4 - H5 - H6
400Y/231 H1 - H2 - H3

